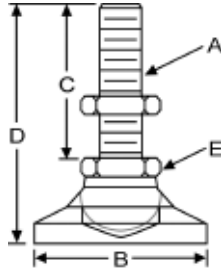


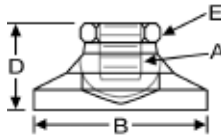
Stud Type – Steel and Stainless Steel



The stud swivels 15 degrees to provide leveling on uneven surfaces. The one piece stud is manufactured from solid hex stock and case hardened for strength and durability. The steel leveling pads are made from low carbon steel with yellow zinc plating. The stainless leveling pads are made from 303 stainless. Furnished with jam nut. Other sizes available.

Steel Part #	Stainless Part #	A	B	C	D	Hex E	Max Load Lbs.
SWP-5	SWP-50	3/8-16	1-1/4	2	2-7/8	5/8	3,750
SWP-10	SWP-55	1/2-13	1-7/8	2	3-1/8	3/4	5,000
SWP-15	SWP-60	5/8-11	2-1/2	2	3-1/4	7/8	6,000
SWP-20	SWP-65	3/4-10	3	2	3-1/2	1-1/16	7,400
SWP-25	SWP-70	1-8	4	4-1/4	6-1/8	1-3/8	20,000

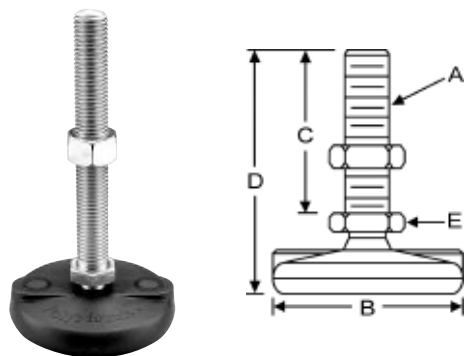
Socket Type – Steel and Stainless Steel



The socket swivels 15 degrees to provide leveling on uneven surfaces. The socket is manufactured from solid hex stock and case hardened for strength and durability. The steel leveling pads are made from low carbon steel with yellow zinc plating. The stainless leveling pads are made from 303 stainless. Other sizes available.

Steel Part #	Stainless Part #	A	B	D	Hex E	Max Load Lbs.
SWP-105	SWP-150	3/8-16	1-1/4	7/8	5/8	3,750
SWP-110	SWP-155	1/2-13	1-7/8	1-1/8	3/4	5,000
SWP-115	SWP-160	5/8-11	2-1/2	1-1/4	7/8	6,000
SWP-120	SWP-165	3/4-10	3	1-1/2	1-1/16	7,400
SWP-125	SWP-170	1-8	4	1-7/8	1-3/8	20,000

Stud Type – Nylon Base – Steel and Stainless Steel

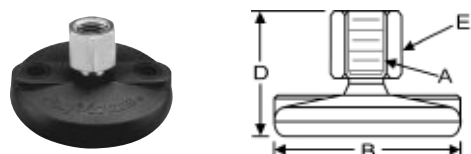


The stud swivels 15 degrees to provide leveling on uneven surfaces. The base is constructed from corrosion resistant glass reinforced nylon with patented “pop-out” lag holes for mounting to the floor. The one piece stud is manufactured from solid hex stock with rolled threads for strength and durability. The steel studs pads are made from low carbon steel with clear zinc plating. The stainless studs are made from 303 stainless. Furnished with jam nut. Other sizes available.

Steel Part #	Stainless Part #	A	B	C	D	Hex E	Max Load Lbs.
SWP-205	SWP-250	3/8-16	2	4	5-1/8	3/4	4,000
SWP-210	SWP-255	1/2-13	2	4	5-1/8	3/4	4,000
SWP-215	SWP-260	1/2-13	3	4	5-1/8	3/4	5,000
SWP-220	SWP-265	5/8-11	3	4	5-1/8	7/8	5,000
SWP-225	SWP-270	5/8-11	4	6	7-5/16	7/8	6,000
SWP-230	SWP-275	3/4-10	4	6	7-5/16	1-1/16	7,500

U.S. Pat. Nos. 6,910,666 & 6,742,750 B2

Socket Type – Nylon Base – Steel and Stainless Steel



The socket swivels 15 degrees to provide leveling on uneven surfaces. The base is constructed from corrosion resistant glass reinforced nylon with patented “pop-out” lag holes for mounting to the floor. The one piece socket is manufactured from solid hex stock. The steel studs pads are made from low carbon steel with clear zinc plating. The stainless studs are made from 303 stainless. Other sizes available.

Steel Part #	Stainless Part #	A	B	D	Hex E	Max Load Lbs.
SWP-305	SWP-350	3/8-16	2	1-7/16	5/8	4,000
SWP-310	SWP-355	1/2-13	3	1-5/8	3/4	5,000
SWP-315	SWP-360	5/8-11	3	1-11/16	7/8	5,000
SWP-320	SWP-365	3/4-10	4	2	1-1/16	7,500

U.S. Pat. Nos. 6,910,666 & 6,742,750 B2